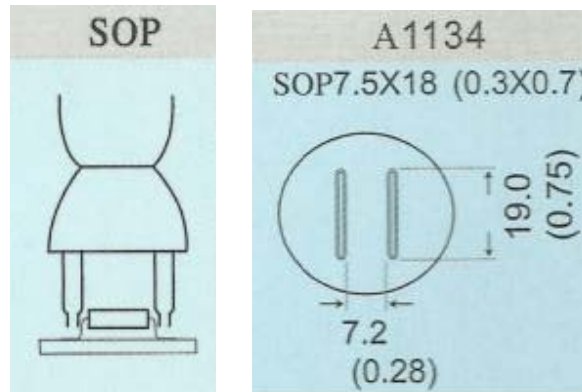


OPTIONAL NOZZLES HOT AIR

Model:A1134



Description:

1-The nozzles Hot Air suitable to:SLD850,SLD852,SLD852D,SLD853A,SLD853B,SLD858+, SLD863,SLD882,SLD902,SLD902+,SLD936,SLD958.

2-Use for IC: SOP 7.5X18.

Made in China